

MEASURED SWR:

7.2171.05:1
5.3471.6:1
3.9102:1
3.9401.7:1
3.9501.6:1
3.9601.6:1
4.0001.8:1

HALFWAVE MEASURED FREQUENCY CONSTANTS:

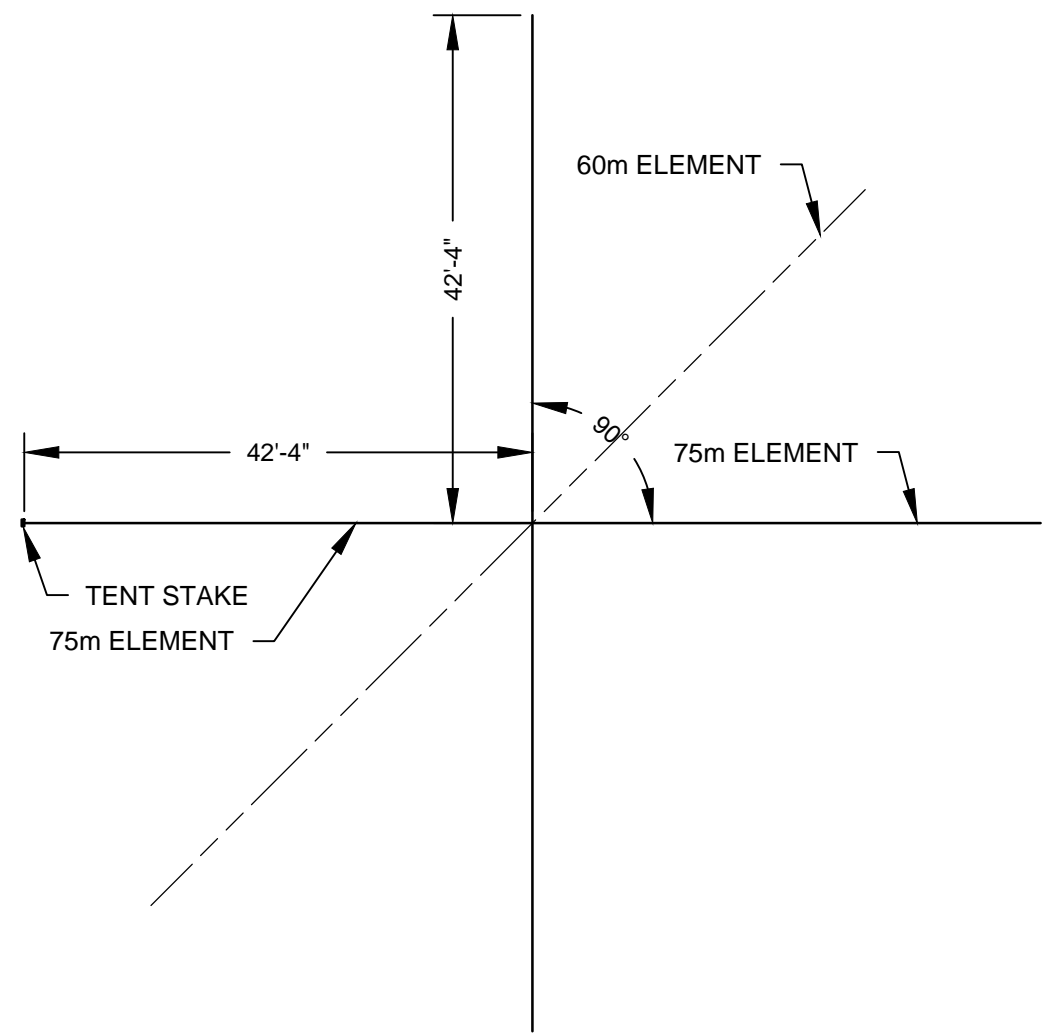
40m	460.8	(460.8/7.24 = 63'-8")
60m (COIL)	324.4	(324.4/5.347 = 60'-8")
75m (COIL)	309.4	(309.4/3.950 = 78'-4")

NOTES:

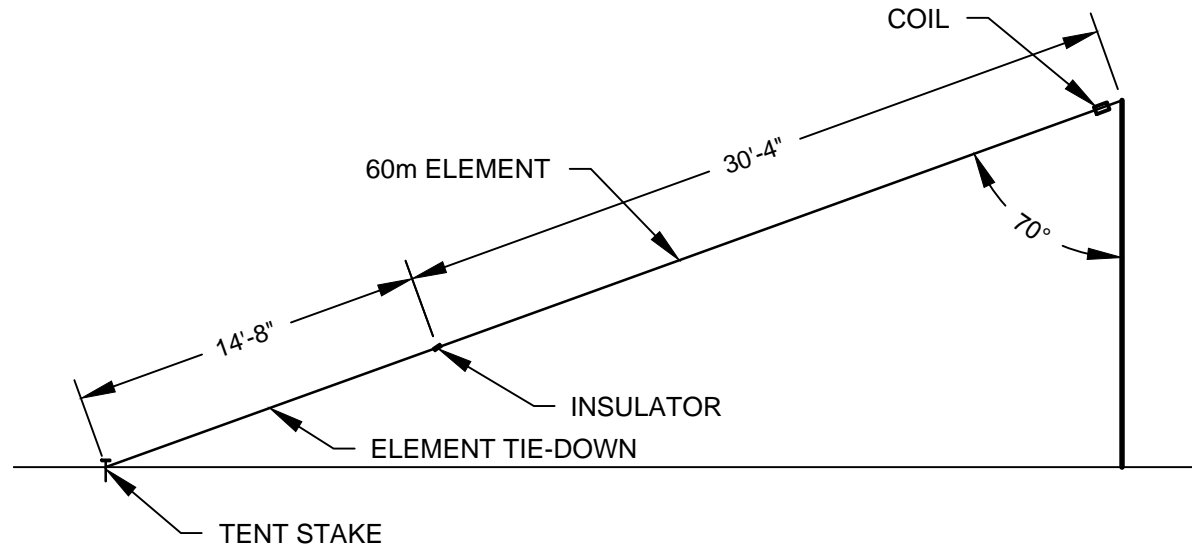
1. PREVIOUS WORK AND PREEXISTING MATERIAL BY:MIKE MELLAND, W9WIS; TOM McCOMBS, N6WTM; SHAWN DONLEY, N3AE; STEVEN URQUIZA, N3IDX.

1. ADD 12 INCHES TO THE DIPOLE ELEMENT LENGTH TO ALLOW FOR TUNING THE DIPOLE ANTENNAS.

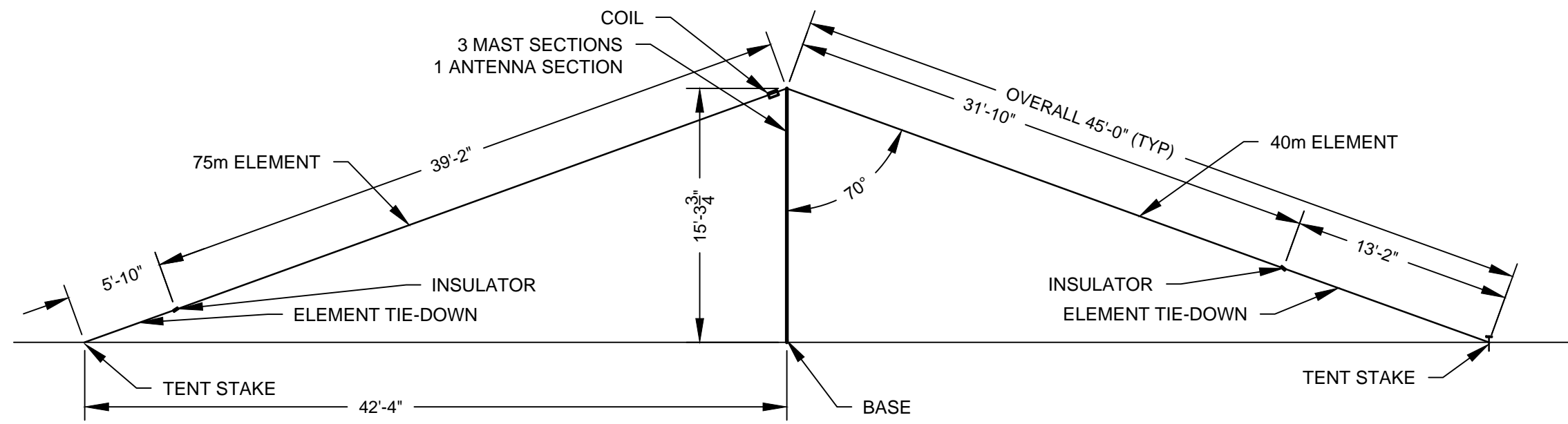
2. 60M ANTENNA IS OPTIONAL.



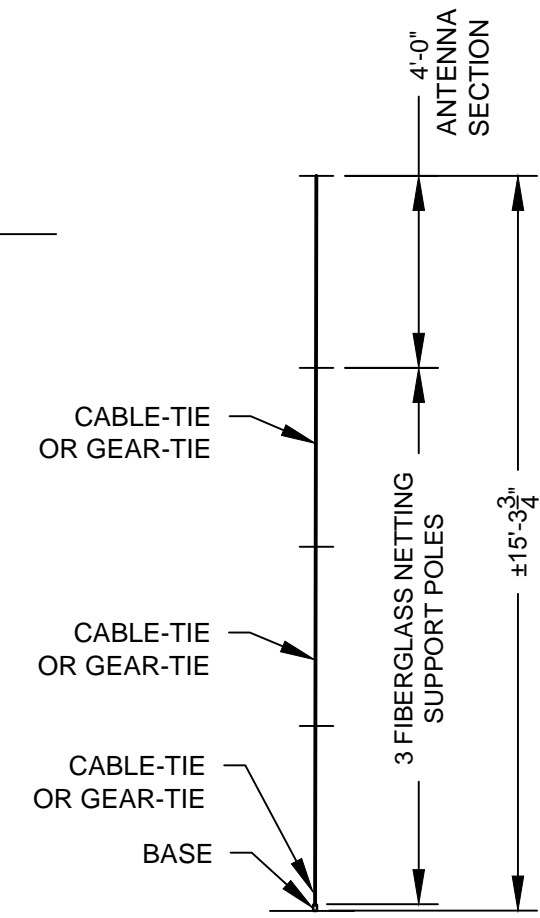
PLAN VIEW



60M HALF SECTION

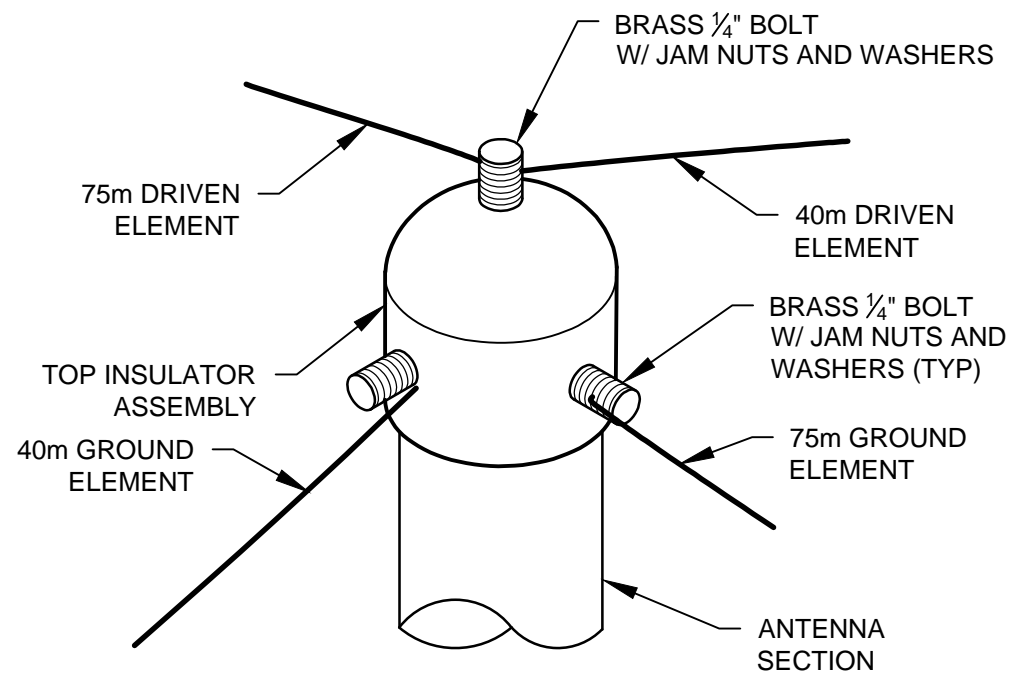


HALF SECTION

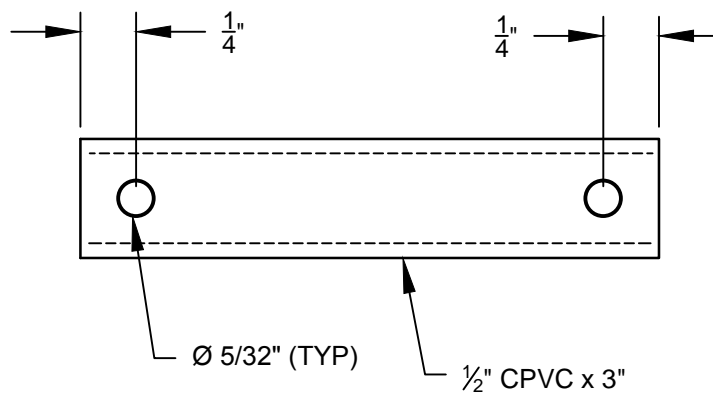


MAST ASSEMBLY

**K4BJS PORTABLE NVIS ANTENNA
LIGHT WEIGHT INVERTED "V"**



ANTENNA TOP ASSEMBLY

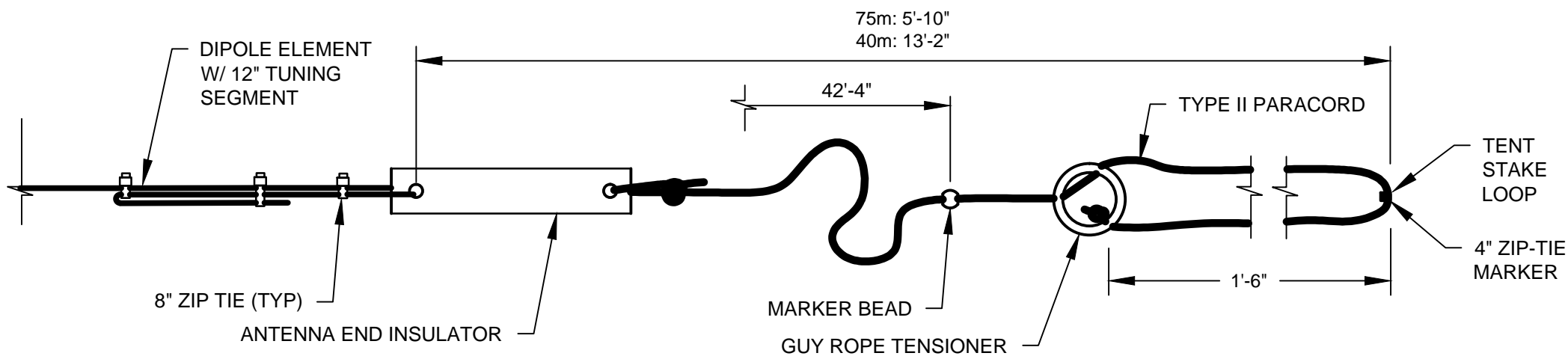
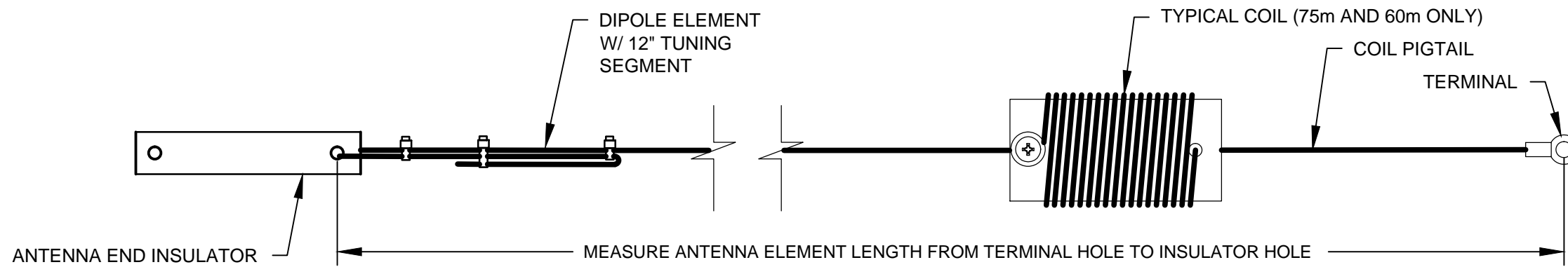


ANTENNA END INSULATOR

6 REQUIRED

NOTES:

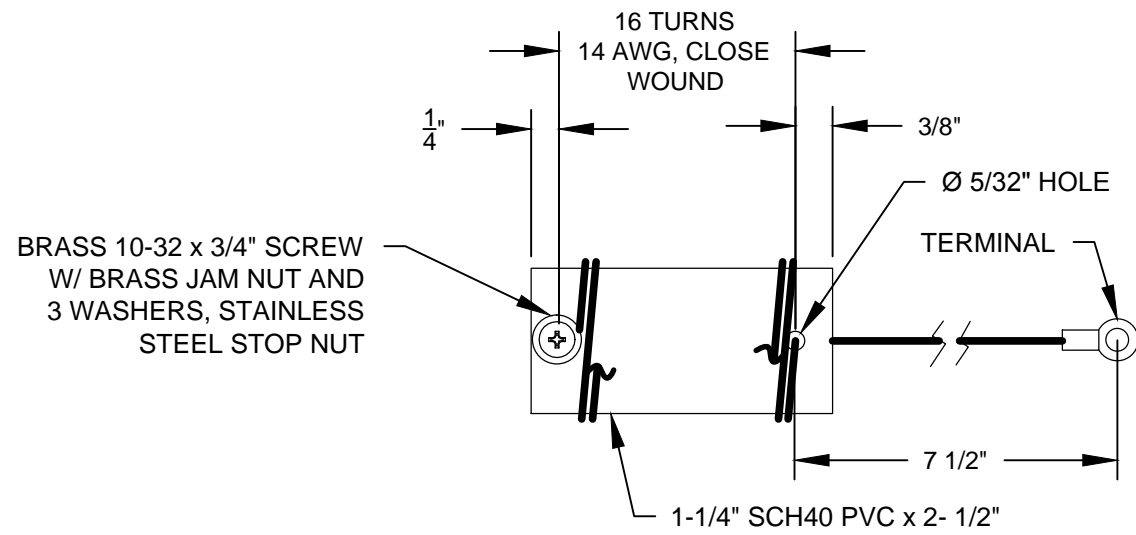
1. TYPE I PARACORD, 95 LBS WORKING LIMIT.
2. TYPE II PARACORD, 275 LBS WORKING LIMIT.



ELEMENT TIE-DOWN ASSEMBLY

2 OF EACH BAND REQUIRED

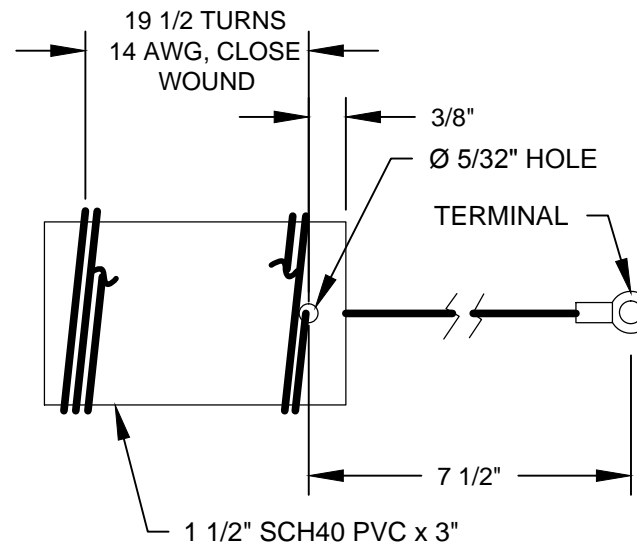
K4BJS PORTABLE NVIS ANTENNA
LIGHT WEIGHT INVERTED "V"



±8'-3" #14 AWG STRANDED WIRE

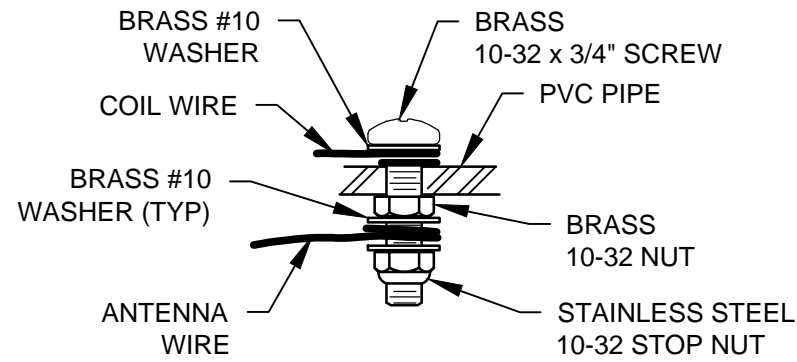
60M ELEMENT COIL - TOP VIEW

2 REQUIRED

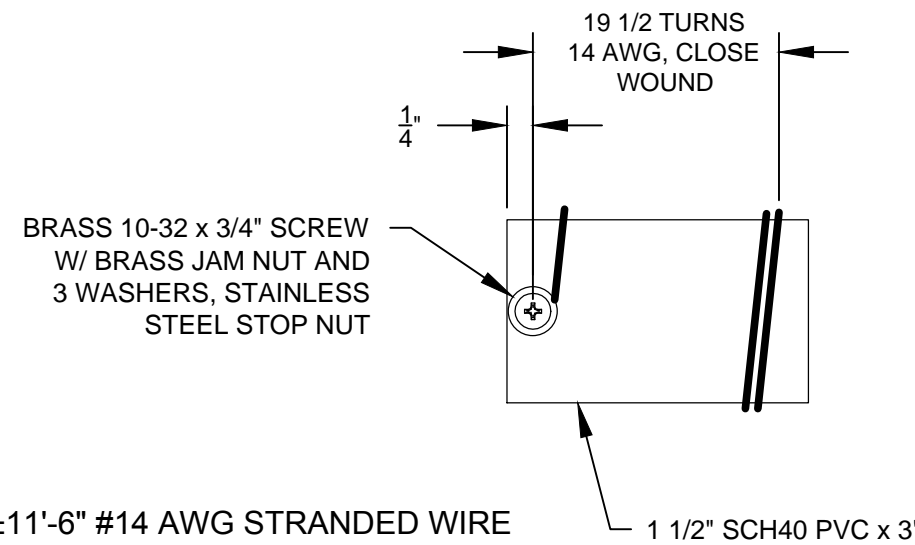


75M ELEMENT COIL - TOP VIEW

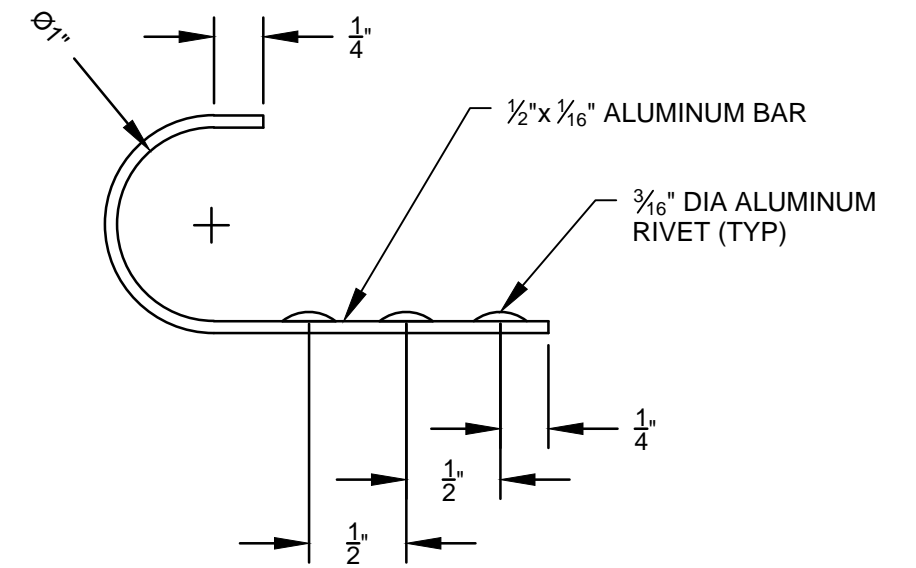
2 REQUIRED



COIL TERMINAL SCREW DETAIL



75M ELEMENT COIL - BOTTOM VIEW

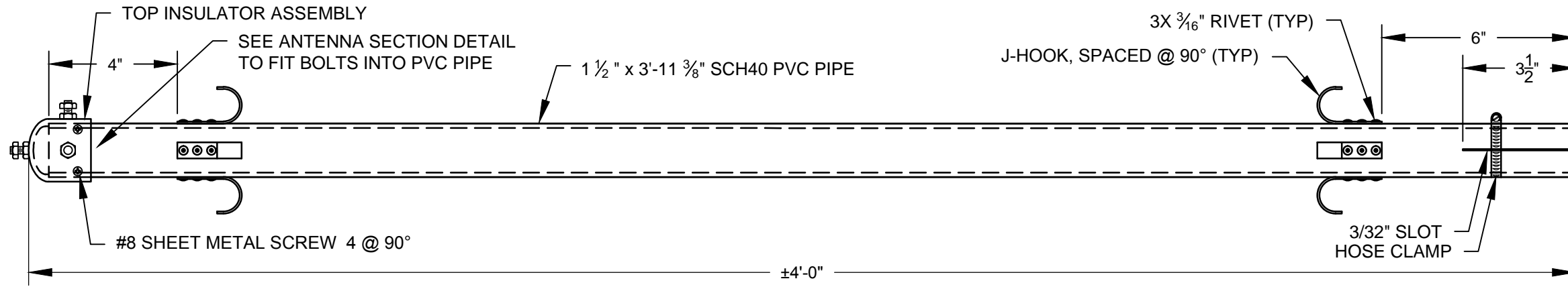


J-HOOK

8 REQUIRED

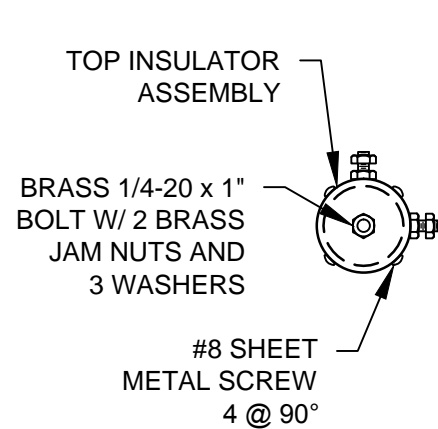
NOTES:

1. COIL RING TERMINAL IS 14 AWG (BLUE), 1/4" STUD.
2. USE 3/4" PVC PIPE TO FORM J-HOOK.
3. COILS DO NOT SHOW ALL TURNS, COUNT TURNS BEGINNING AT 5/32" HOLE AND WRAP WIRE TURNS AS SPECIFIED.

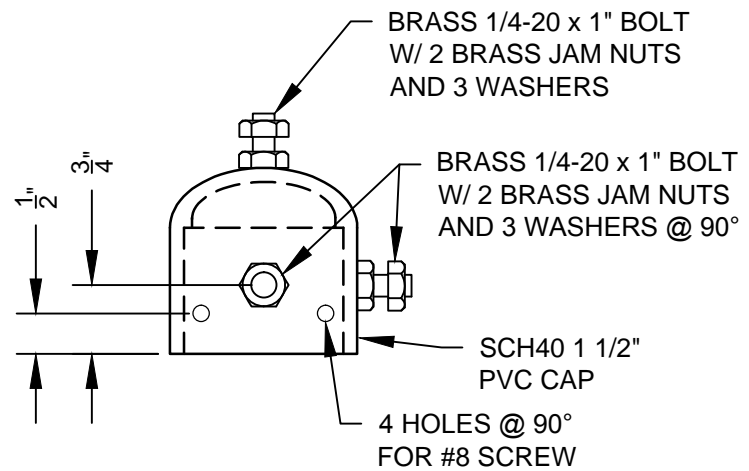


ANTENNA SECTION

1 REQUIRED



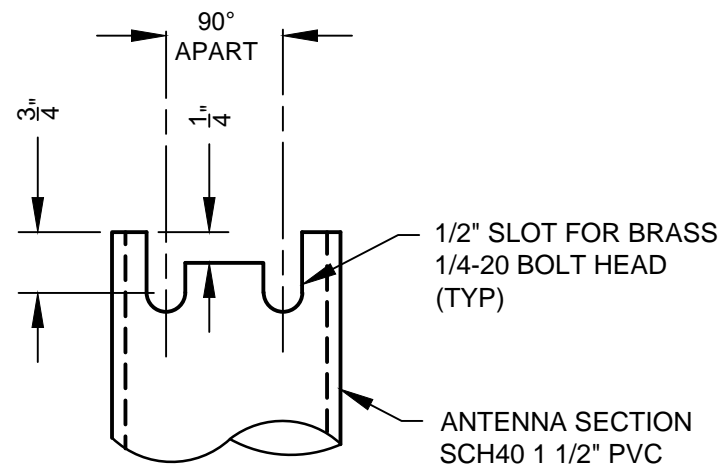
ANTENNA SECTION TOP VIEW



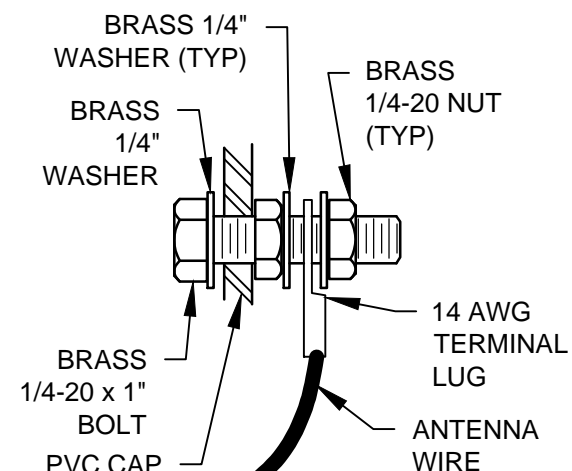
PVC CAP NEEDS TO BE A LOOSE FIT ON PIPE, SAND PAPER INSIDE TO REMOVE SOME MATERIAL

TOP INSULATOR DETAIL

1 REQUIRED

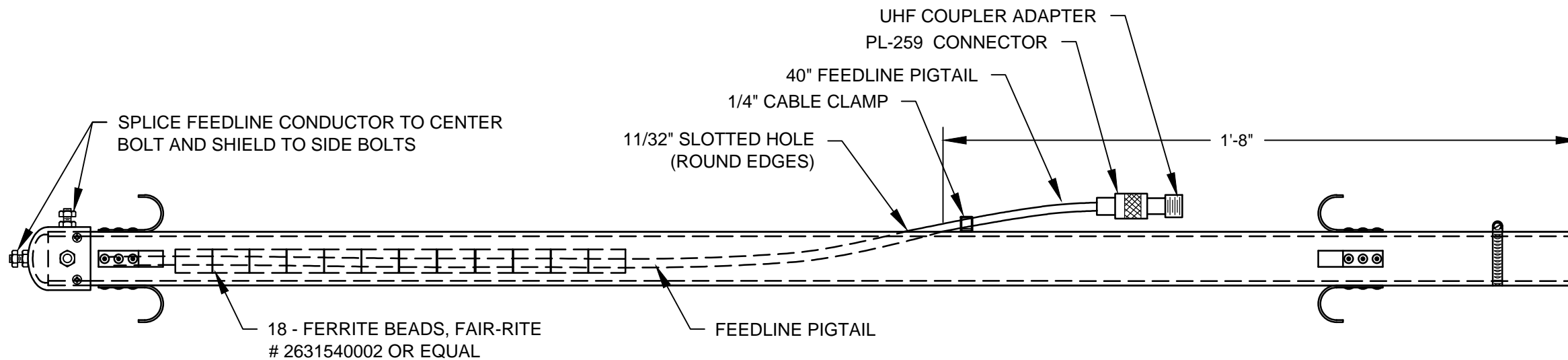


ANTENNA SECTION DETAIL



FEED POINT DETAIL

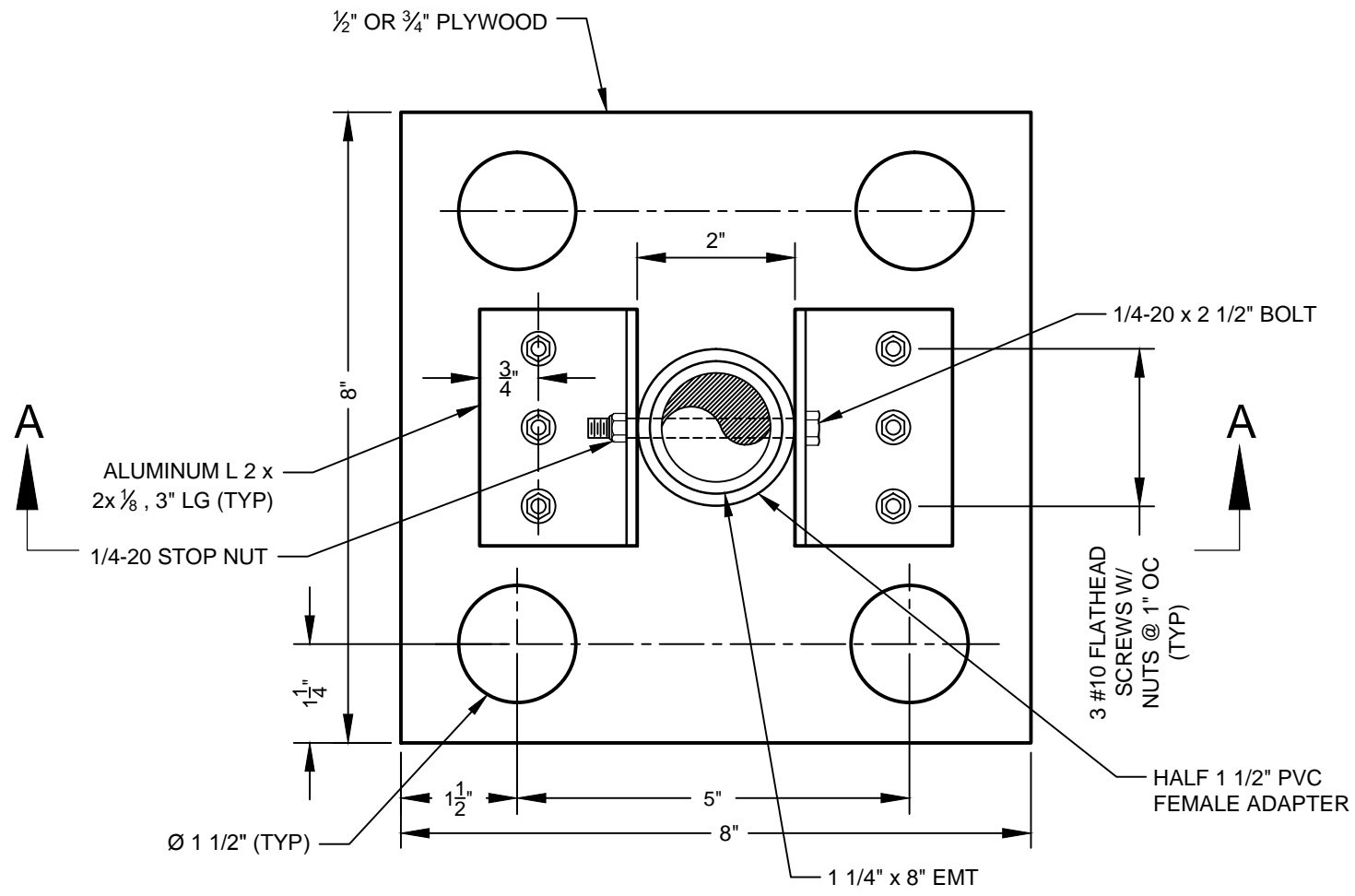
3 REQUIRED



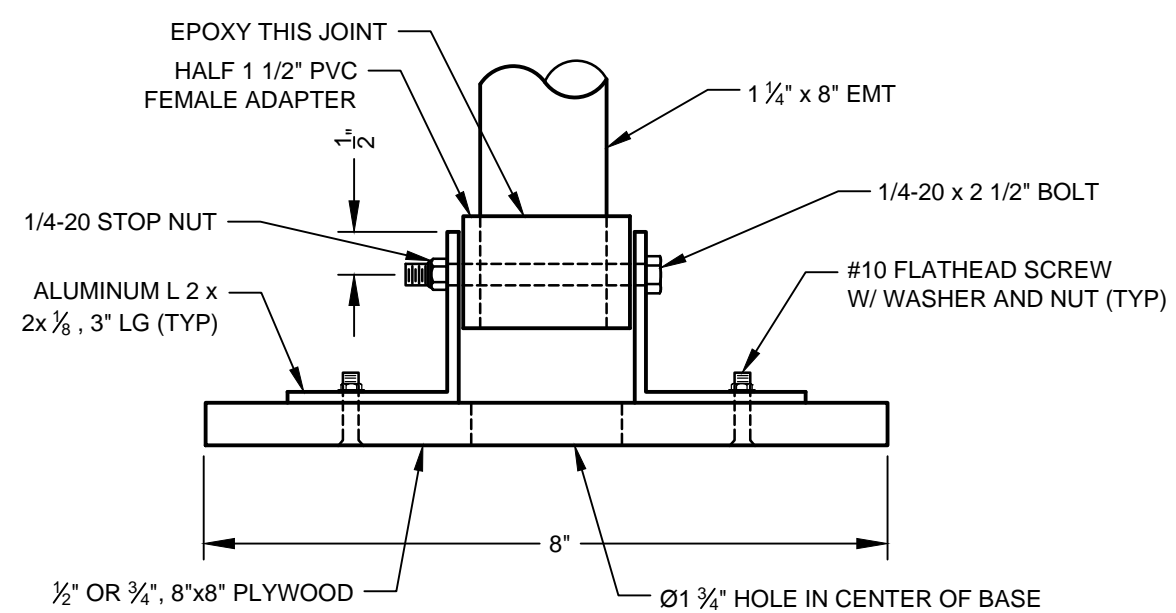
NOTE: ASSEMBLE FEEDLINE AND TOP INSULATOR WITHOUT PL-259 CONNECTOR, THEN INSERT IT INSIDE PVC PIPE AND INSTALL PL-259 CONNECTOR

FEED LINE DETAIL

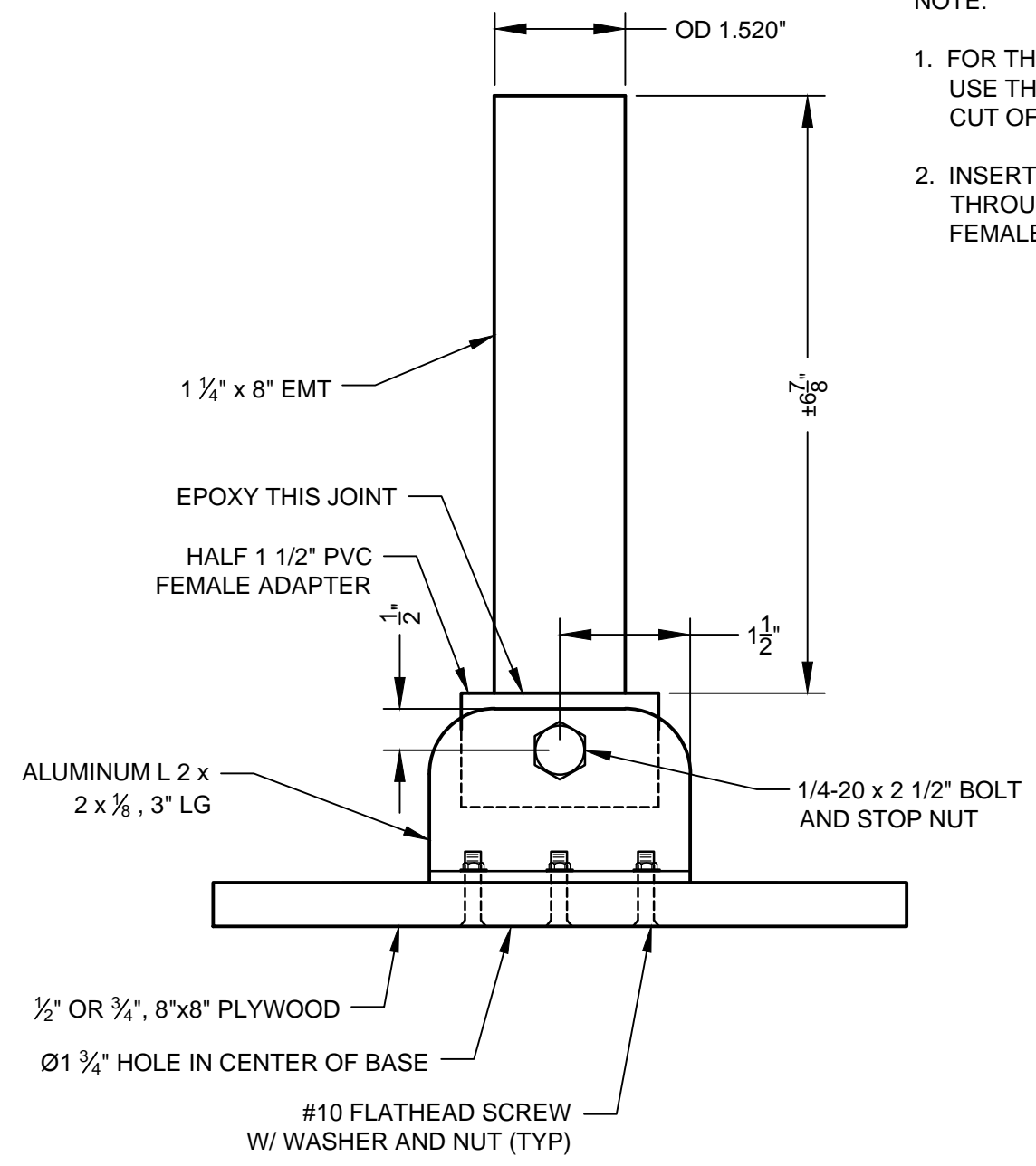
K4BJS PORTABLE NVIS ANTENNA
LIGHT WEIGHT INVERTED "V"



BASE TOP VIEW



SECTION A-A

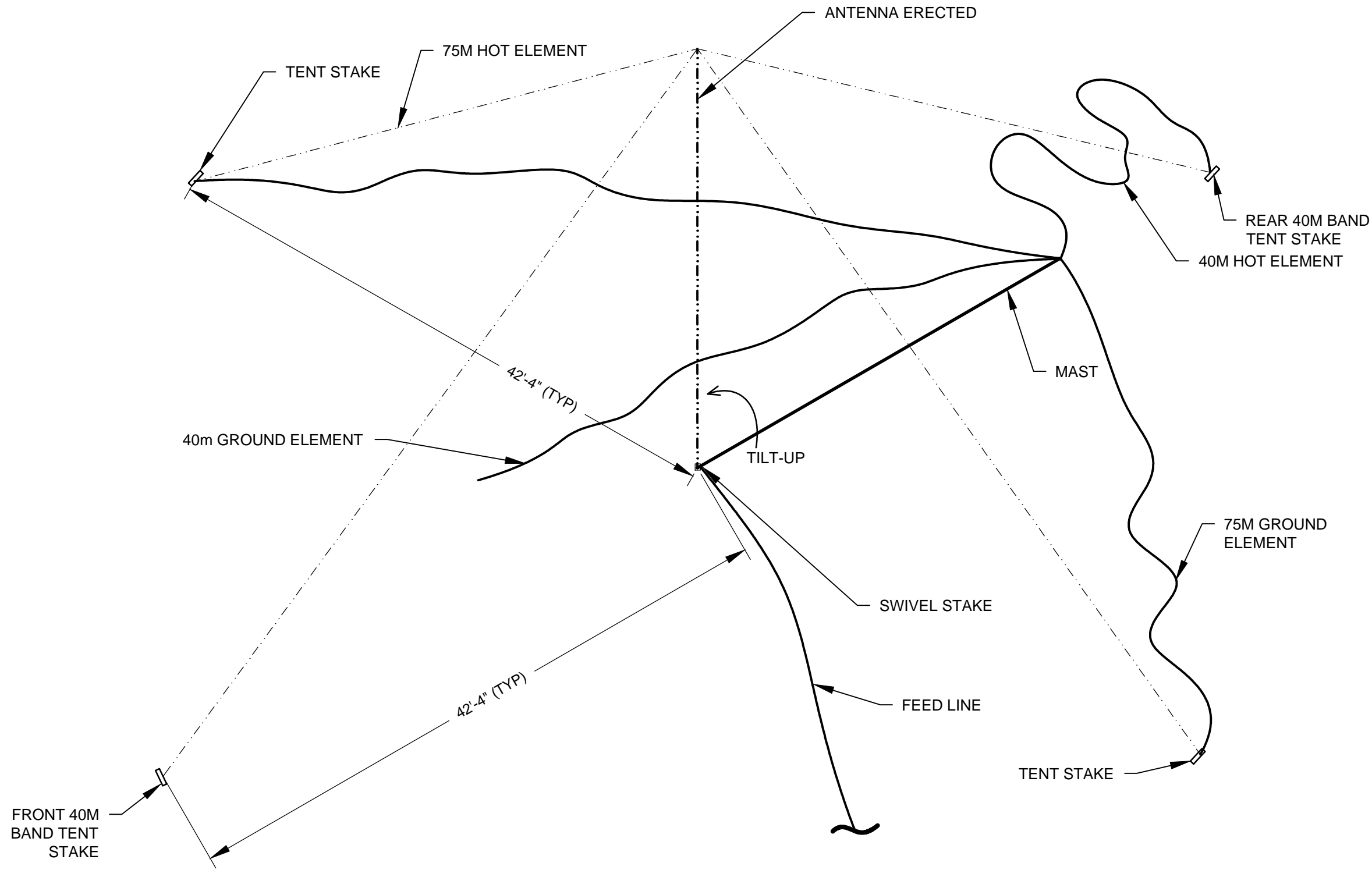


BASE FRONT VIEW

- NOTE:
1. FOR THE 1 1/2" PVC FEMALE ADAPTER USE THE FEMALE THREAD PORTION, CUT OFF THE SLIP JOINT.
 2. INSERT THE 1 1/4" EMT COMPLETELY THROUGH THE CUT DOWN 1 1/2" FEMALE ADAPTER.

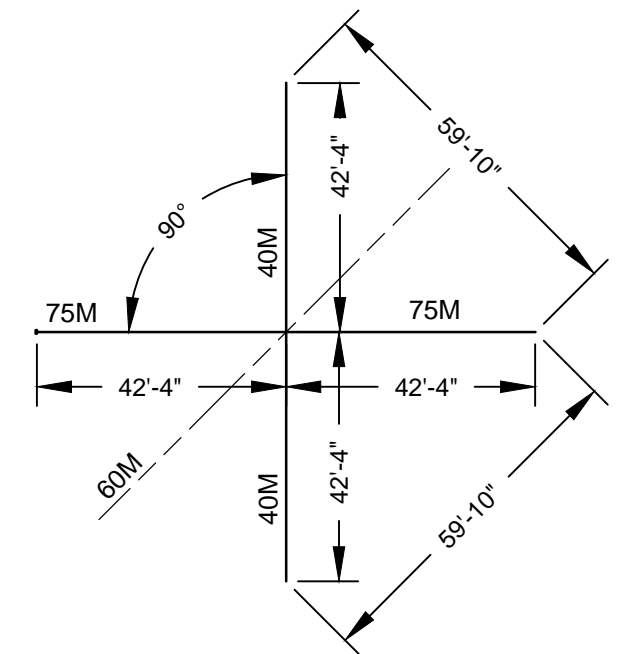
K4BJS PORTABLE NVIS ANTENNA
LIGHT WEIGHT INVERTED "V"

- TOOLS:
 1. HAMMER
 2. SURVEYOR FLAGGING



DANGER
 WATCH FOR OVERHEAD WIRES. NEVER ERECT ANTENNA
 DIRECTLY UNDER POWERLINES

FIGURE 1



SITE LAYOUT

K4BJS PORTABLE NVIS ANTENNA
 LIGHT WEIGHT INVERTED "V"